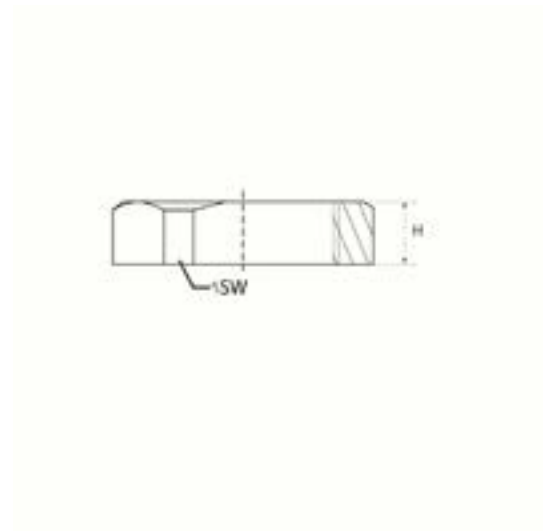


02. RO -Tegenmoer PA 6-30% GF - PG



Tegenmoeren in Polyamide 6-30% GF met PG schroefdraad

NORM SCHROEFDR. PG: DIN 40430

Art. nr.	DRAAD (FT)	KLEUR	SW
400207PG/G	PG7	7001	19
400209PG/G	PG9	7001	22
400211PG/G	PG11	7001	24
400213PG/G	PG13.5	7001	27
400216PG/G	PG16	7001	30
400221PG/G	PG21	7001	36
400229PG/G	PG29	7001	46
400236PG/G	PG36	7001	60
400242PG/G	PG42	7001	65
400248PG/G	PG48	7001	70
400207PG/L	PG7	7035	19
400209PG/L	PG9	7035	22
400211PG/L	PG11	7035	24
400213PG/L	PG13.5	7035	27
400216PG/L	PG16	7035	30
400221PG/L	PG21	7035	36
400229PG/L	PG29	7035	46
400236PG/L	PG36	7035	60
400242PG/L	PG42	7035	65
400248PG/L	PG48	7035	70